



SPK 23500

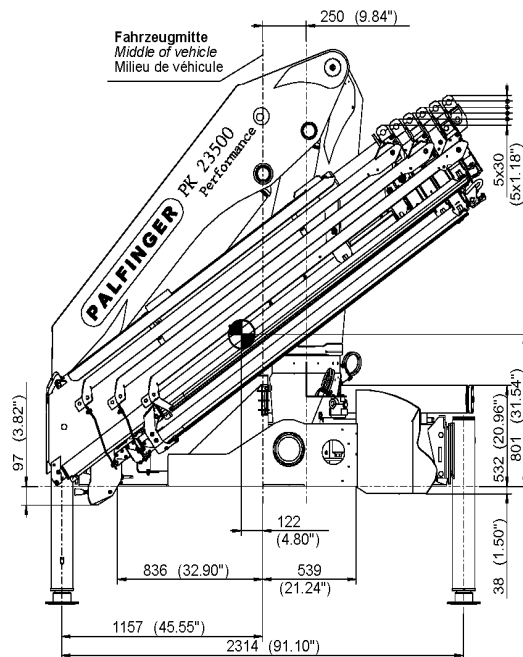
- Equipped with load holding valves for safe crane operations
- High speed boom extension and retraction with Return Oil Utilization
- Optimized lifting performance with the use of high tensile steel and hexagonal boom design
- Lightweight yet robust construction according to European standards (EN 12999)
- Optional Overload Protection and Emergency Stop Button
- Professional installation solutions
- Suitable for installation on 3-axle trucks

23.0 mt
Max. lifting
moment

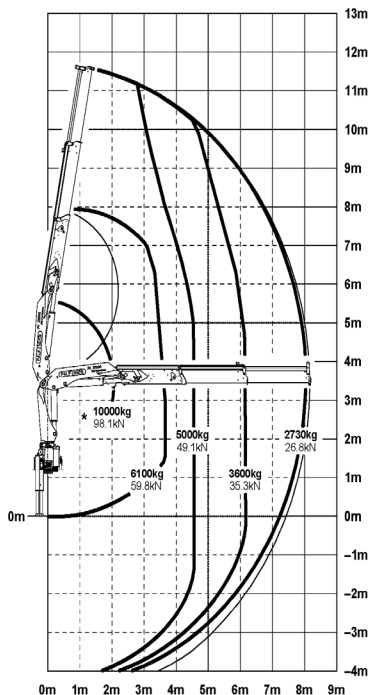
12.4 m
Max. outreach

TECHNICAL SPECIFICATIONS (EN 12999 H1-B3)

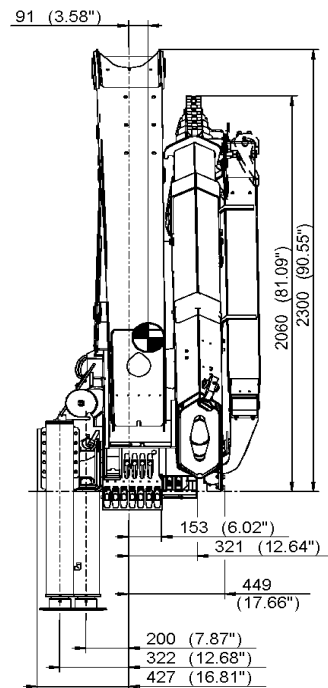
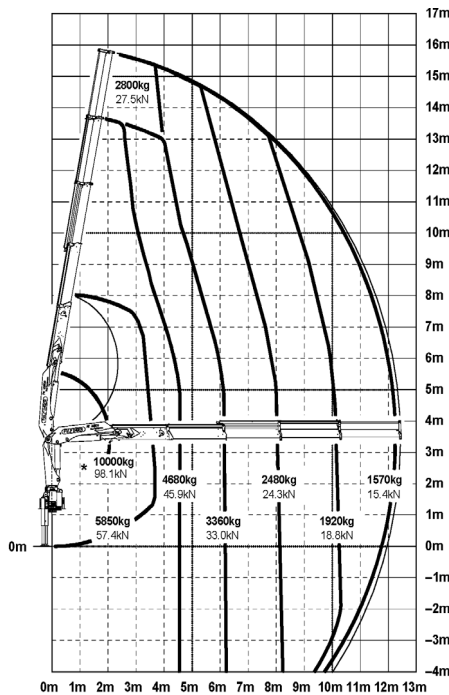
Max. Lifting Moment	mt	23.0
Max. Lifting Capacity	kg	10000
Max. Outreach	m	8.2 (A) / 10.3 (B) / 12.4 (C)
Slewing Angle	o	400
Slewing Torque	mt	2.8
Stabilizer Spread	m	5.640 (R2X) / 6.616 (R3X)
Fitting Space Required (Std)	m	0.875
Width Folded	m	2.5
Operating Pressure	bar	300
Recommended Pump Capacity	l/min	50 - 75
Dead Weight (Std)	kg	2376



SPK 23500 A



SPK 23500 C



Authorized Dealer:

Units shown in the leaflet are partially optional equipped and do not always correspond to the standard version. Country-specific regulations must be observed. Dimensions may vary. Subject to technical changes, errors and translation mistakes.

Asia Pacific Distributor Managed By:

PALFINGER ASIA PACIFIC PTE LTD

3 International Business Park | Nordic European Centre
#05-25/26 | Singapore 609927

T +65 6592 9192
asia@palfinger.com

F +65 6591 7737
www.palfinger.com